



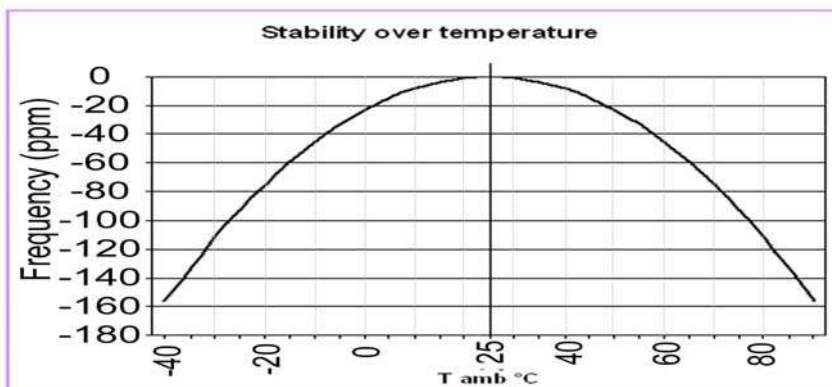
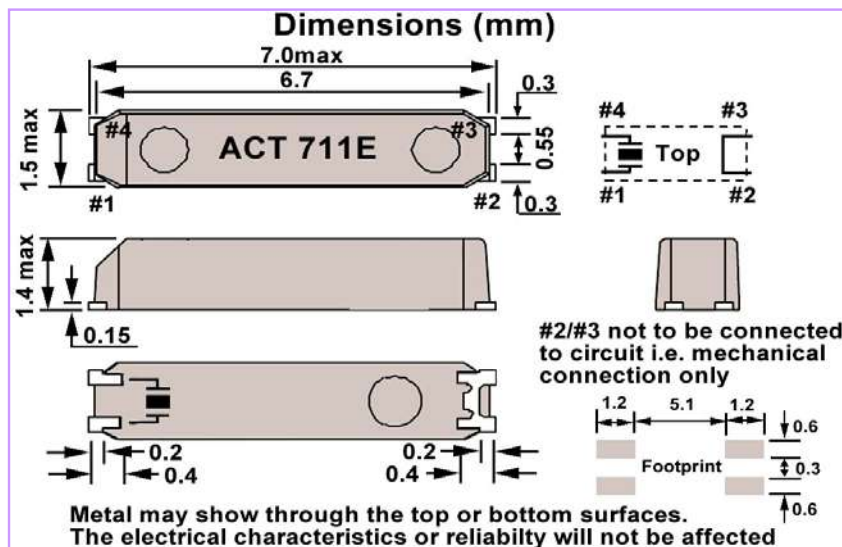
ACT711E

The **ACT711E** is an ultra thin, plastic moulded package with a maximum height of 1.4 mm. The package contains a highly reliable cylinder type quartz crystal and is ideally suitable for automatic insertion, especially where PCB component mounting space is at a premium.

Applications include Wireless Communications Equipment, Pagers, PDAs, Cellular Phones, Portable applications, and a variety of clock sources.

Specification

Parameter	Symbol	Specification	
Frequency	fo	32.768kHz	
Frequency Tolerance	$\Delta f/f_0$	$\pm 20\text{ppm}$, $\pm 50\text{ppm}$	Please specify
Frequency v Temperature @25°C	TC	Please See Drawing	
Turnover Temperature	Tp	+25°C $\pm 5^\circ\text{C}$	
Temp. Coefficient	K	$(-4.0 \pm 1.0) \times 10^{-8}/^\circ\text{C}^2$ max	
Temp Operating Range	Topr	-40 ~ +85°C	
Temp Storage Range	Tstg	-55 ~ +125°C	
Equivalent Series Resistance	ESR	65K Ω max	
Shunt Capacitance	C ₀	0.8pF max	
Motional Capacitance	C ₁	1.9fF typ	
Load Capacitance	C _L	12.5pF (7.0pF & 9.0pF options)	Please specify
Drive Level	DL max	1.0 μW (0.1 μW Recommended)	
Aging	Fa	$\pm 3\text{ppm}$ max 25°C $\pm 3^\circ\text{C}$, First Year	
Reflow Profile	Tsol	Max 2 reflow cycles to profile (fig 1)	



Please note that all parameters can not necessarily be specified in the same device

Customer to specify: Frequency Tolerance, Load capacitance

In line with our ongoing policy of product evolution and improvement, the above specification may be subject to change without notice

ISO9001 Registered

For quotations or further information please contact us at:

3 The Business Centre, Molly Millars Lane, Wokingham, Berkshire, RG41 2EY, UK

<http://www.actcrystals.com>

Issue: 1E2

Date: 05-08-2010

